

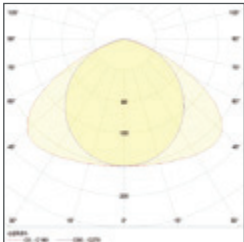
## FLUORESCENT LIGHTING

# RMS-560.. Series - Fluorescent lighting fixtures



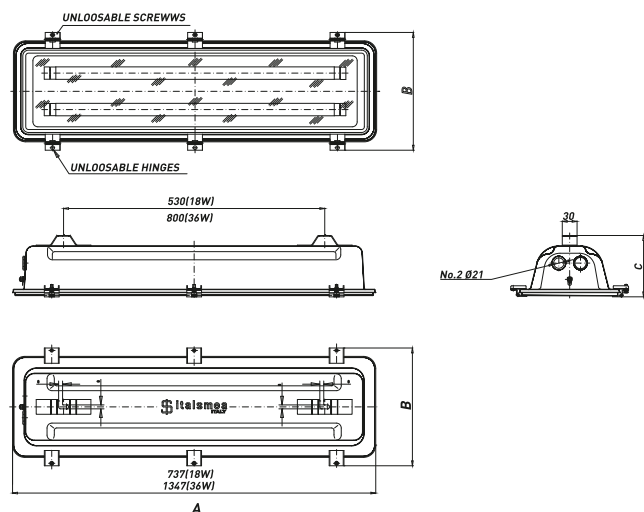
RMS.. series lighting fixtures are ideally suited for ON and OFF-SHORE applications and all kinds of industries where there is an high level of corrosion. Both body and glass frame are made of stainless steel AISI304 and manufactured from a single sheet of steel with no invasive mounting holes, to minimize the risk of water ingress through the housing. Out of holes for power supply cable, whatever protected by a suitable cable gland (available upon request), there are no passing through holes between inside and outside of luminaire. Therefore during the time there is no risk of IP rating decrease as it would be possible where, for fixing devices, there are through holes and relevant gaskets. Design has been studied to allow operator working with free hands and no need to support any part of lighting fixture. One person can take care of start-up or maintenance without any aid and assistance. Due to inorganic materials like stainless steel and glass, RMS.. series lighting fixtures are 95% recyclable; only components and insulation of single core wires need some more care.

## TECHNICAL FEATURES

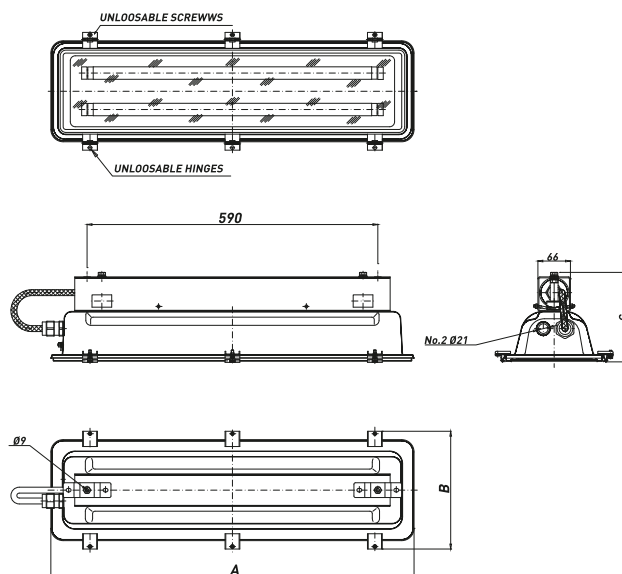
<b>Material</b>	AISI304 stainless steel, 0,8mm thickness and transparent part in tempered glass (AISI316L version available upon request)
<b>IP rating</b>	IP65 (IP66 on request)
<b>Ambient temperature range</b>	-20°C to +60°C
<b>Approvals</b>	INERIS 01ATEX0060 (standard) TR CU (marking upon request, ordering code to be required)
<b>Marking</b>	II 2 GD Ex de IIC T(**) Ex tD A21 IP65 T(**) ** T6/T85°C, T5/T100°C, T4/T135°C
<b>Gaskets</b>	Special cross-section tightness gasket, silicon rubber made (closed cell), located in housing channel between body and window frame.
<b>Entries</b>	Body complete of two 21mm Ø through holes (on one side) for cable entry, one complete of metallic plug with M20 locknut and gasket and the other one with temporary plastic plug to prevent dust ingress.
<b>Hardware and screws</b>	AISI304 Stainless steel external hardware and screws
<b>Lamps</b>	RMS series lighting fixtures are suitable for two pins fluorescent lamps G13 socket Philips TL-D or equivalent (lamps excluded)
<b>Ballast</b>	High frequency electronic ballast conforming with EN 60079 – 15 and IEC 60079 – 15
<b>Rated operation voltage (UE)</b>	220-240 V
<b>Frequency</b>	50-60 Hz
<b>Power factor</b>	> 0,95
<b>Accessories available upon request</b>	Pole mounting kit / Ceiling mounting kit / Suspension mounting kit / Wall mounting kit 3°- 4° through holes opposite side
<b>Operating principles</b>	Available RMS.. lighting fixtures for emergency service of one tube: - 90 minutes ; guarantees 60' duration with constant flux (emergency lumen factor 18%) and 30' with decreasing flux
<b>Photometric light curves</b>	

## Dimensions RMS-560

RMS-560  
(18W)  
(36W)



RMS-560 EM  
(18W)



### (RMS-560) Lighting fixtures for normal service

TYPE	CODE	POWER [W]	TEMPERATURE CLASS	AMBIENT TEMPERATURE	DIMENSIONS [mm]			WEIGHT [kg]
					A	B	C	
RMS-560-03	A0201.311111	1X18	GAS T5 DUST T100°C	(-20°;+55°)**	737	239	123	5.60
RMS-560-04	A0201.311211	2X18	GAS T5 DUST T100°C	(-20°;+55°)**	737	239	123	5.70
RMS-560-01	A0201.311311	1X36	GAS T5 DUST T100°C	(-20°;+55°)**	1347	239	123	8.90
RMS-560-02	A0201.311411	2X36	GAS T5 DUST T100°C	(-20°;+55°)**	1347	239	123	9.10
RMS-560-03/MS*	A0201.312111	1X18	GAS T5 DUST T100°C	(-20°;+55°)**	737	239	123	5.65
RMS-560-04/MS*	A0201.312211	2X18	GAS T5 DUST T100°C	(-20°;+55°)**	737	239	123	5.75
RMS-560-01/MS*	A0201.312311	1X36	GAS T5 DUST T100°C	(-20°;+55°)**	1347	239	123	8.95
RMS-560-02/MS*	A0201.312411	2X36	GAS T5 DUST T100°C	(-20°;+55°)**	1347	239	123	9.15

\* With micro-switch

\*\* In case of maximum ambient temperature reach +60°C, temperature class changes into T4/T105°C (ordering code to be required).

In case of maximum ambient temperature reach +40°C, temperature class changes into T6/T85°C (ordering code to be required).

### (RMS-560) Lighting fixtures for emergency service

TYPE	CODE	POWER [W]	TEMPERATURE CLASS	AMBIENT TEMPERATURE	EMERGENCY DURATION	DIMENSIONS [mm]			WEIGHT [kg]
						A	B	C	
RMS-560-03 LE-P-90	A0202.313112	1X18	GAS T5 DUST T100°C	(-20°;+55°)*	90'	737	239	183	9.50
RMS-560-04 LE-P-90	A0202.313212	2X18	GAS T5 DUST T100°C	(-20°;+55°)*	90'	737	239	183	9.60
RMS-560-01 LE-P-90	A0202.313312	1X36	GAS T5 DUST T100°C	(-20°;+55°)*	90'***	1347	239	123	14.10
RMS-560-02 LE-P-90	A0202.313412	2X36	GAS T5 DUST T100°C	(-20°;+55°)*	90'***	1347	239	123	14.30

\* In case of maximum ambient temperature reach +60°C, temperature class changes into T4/T105°C (ordering code to be required).

In case of maximum ambient temperature reach +40°C, temperature class changes into T6/T85°C (ordering code to be required).

\*\* 120' version available upon request (ordering code to be required).